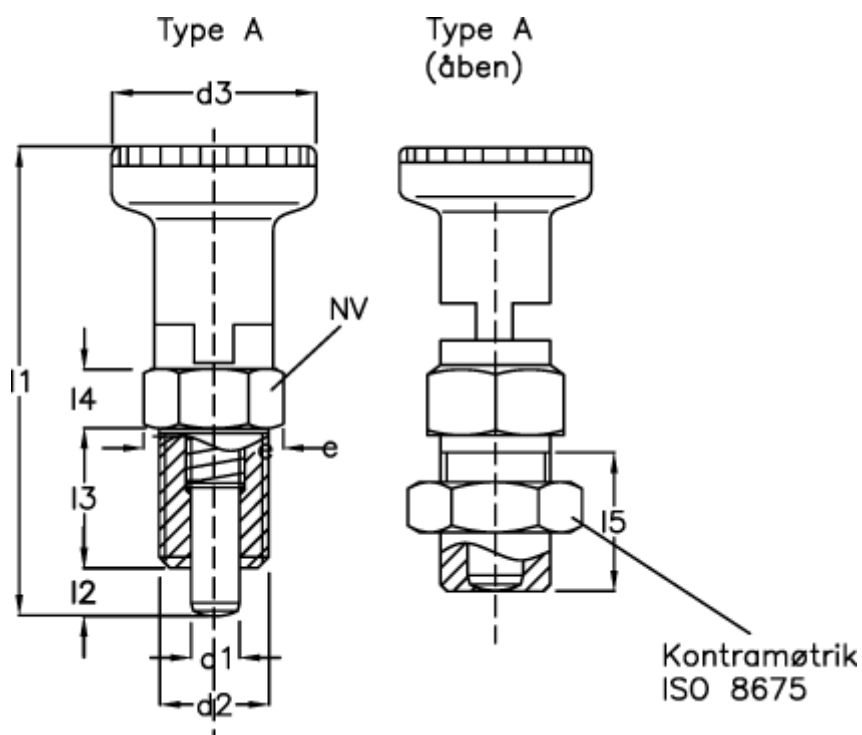


Article number: 2061716ANI
 Description: E+G Indexing plunger
 GN 617.1-6-A-NI

Measures



$d1 = 6$	$l5$	$= 17$
$d2 = M12 \times 1,5$	NV	$= 14$
$d3 = 25$	Spring pressure N bottom	$= 11.0$
$e = 16.2$	Spring pressure N top	$= 5.0$
$l1 = 61.0$		
$l2 = 6$		
$l3 = 20$		
$l4 = 6$		